



CIT 300

Process Display with Contacts and Analogue Output

Functional range

- ▶ free scalable display
- ▶ five characteristic curve functions selectable (linear, square, square root, user defined or tank volume)
- ▶ switching mode, hysteresis, timing of contacts settable
- ▶ display brightness and filter adjustable
- ▶ acoustic signal

Product characteristics

- ▶ input 0/4 ... 20 mA, 0/1/2 ... 5/10 V
- ▶ 4-digit LED display
- ▶ transducer supply 24 V_{DC}
- ▶ interface RS-485 (Modbus RTU)
- ▶ front panel housing 96 x 48 mm

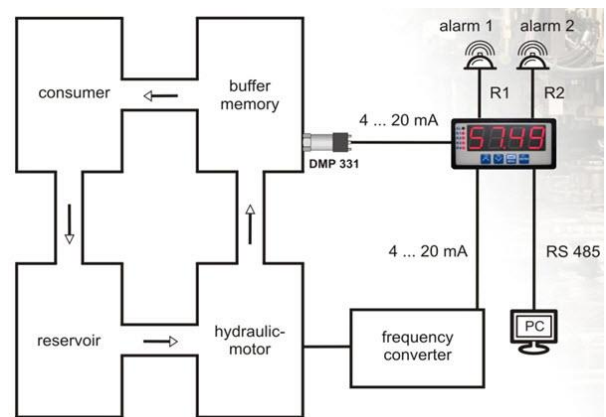
Optional versions

- ▶ input Pt100 / Pt500 / Pt1000
- ▶ input thermocouple, 0 ... 150 mV
- ▶ output 1/2/4 relay / OC
- ▶ output 4 ... 20 mA / 0 ... 10 V
- ▶ wall mounted housing IP67



Typical application



pressure regulation of a hydraulic circuit



Supply		
Supply voltage / power consumption	85 ... 260 V _{AC} / V _{DC} / max. 6,5 W 16 ... 35 V _{AC} / 19 ... 50 V _{DC} / max. 6,5 VA	
Transducer supply	24 V _{DC} + 5%, - 10%, max. 100 mA	
Signal input		
Input signal	0/4 ... 20 mA, 0/1 ... 5 V, 0/2 ... 10 V Pt100 / Pt500 / Pt1000 thermocouple K, S, J, T, N, R, B, E, 0 ... 90 mV universal input ¹ 0/4 ... 20 mA, 0/1 ... 5 V, 0/2 ... 10 V, Pt100 / Pt500 / Pt1000, thermocouple K, S, J, T, N, R, B, E, 0 ... 60/75/100/150 mV	
Accuracy (25 °C)	± 0,1 % FSO, ± 0,2% FSO (TC N), ± 0,5 % FSO (TC S, T, R, B), stability: 50 ppm/°C	
¹ universal input only with front panel housing		
Contacts		
Contact	1/2/4 SPST relay, max. 30 V _{DC} / 250 V _{AC} , max. 1 A (cos φ 1) 1/2/4 OC, max. 30 V _{DC} , max. 30 mA (cos φ 1), max. 100mW	
² 4 contacts only with front panel housing without analogue output, 1 contact only with wall mounted housing and analogue output		
Analogue output		
Output signal / load ³	0/4 ... 20 mA active / max. 700 Ω 4 ... 20 mA passive / max. 600 Ω (24V DC) 0/1 ... 5 V, 0/2 ... 10 V active / min. 2000 Ω	
³ analogue output only with 1 contact (wall mounted housing) resp. 2 contacts (front panel housing)		
Display		
Display	LED, red, 4 x 20 mm	
Display range	0/4 ... 20 mA, 0/1 ... 5 V, 0/2 ... 10 V: - 999 ... 9999 + decimal point Pt100 / Pt500 / Pt1000: -100, 0 ... 600,0°C thermocouple: -200 ... 1370 °C(K), -50 ... 1768 °C(S, R), -210 ... 1200 °C(J), -200 ... 400 °C(T), -200 ... 1300 °C(N), 250 ... 1820 °C(B), -200 ... 1000 °C(E)	
Communication		
Communication interface	RS-485 (Modbus RTU), 8N1/8N2, 1200 – 115200 bit/s	
Ingress protection		
Standard	IP 65 (front side), IP 20 (case and connectors)	
Option	IP 65 (front side with additional sealing frame for panel cut-out), IP 20 (case and connectors) IP 67 (wall mounted housing)	
Permissible temperatures		
Standard	environment: 0 ... 50 °C, storage: -10 ... 70 °C	
Option	environment: -20 ... 50 °C, storage: -20 ... 70 °C	
Electrical protection		
Electrical safety	EN 61010-1	
EMC	EN 61326-1	
CE-conformity	EMC Directive: 2014/30/EU	
Housing		
Housing type / dimensions	front panel mounting / 96 x 48 x 107 mm	wall mounted housing / 110 x 80 x 67 mm
Material	NORYL-GFN2S E1	
Weight	approx. 230 g	ca. 350 g
Dimensions		

Accessories	
<p>Hat rail adapter for front panel housing 48 mm</p> <p>Enables mounting on a hat rail TS35.</p> <p>Material number: Z900029</p>	
<p>Infrared remote-control IR 2</p> <p>Enables configuration of CIT 300 with wall mounted housing, without opening the case cover.</p> <p>Material number: Z900033</p>	

© 2022 BDSENSORS GmbH – The specifications given in this document represent the state of engineering at the time of publishing. We reserve the right to make modifications to the specifications and materials.

Ordering code CIT 300 panel housing

CIT 300 - - - -

Input type			
0/4 ... 20 mA, 0/1 ... 5 V, 0/2 ... 10 V	8		
Pt100 , Pt500, Pt1000	3		
thermocouple	A		
universal (mA, mV, V, RTD, TC)	J		
Number of outputs			
without	0		
2	2		
3	3		
4	4		
Output type			
without	0		
2x / 4x SPST relay	1		
2x / 4x Open collector	2		
2x SPST relay + 1x 0/4...20 mA active	3		
2x Open collector + 1x 0/4...20 mA active	4		
2x SPST relay + 1x 4...20 mA passive	9		
2x Open collector + 1x 4...20 mA passive	A		
2x SPST relay + 1x 0/1...5 V, 0/2...10V	B		
2x Open collector + 1x 0/1...5 V, 0/2...10V	C		
Supply			
16...35 VAC / 19...50 VDC		3	
85...260 VAC / VDC		4	
Special version			
standard		0	0
sealing frame IP65		0	1
operating temperature -20°C...50°C		0	8
IP65 + operating temp. -20...50°C		0	P
customer		9	9
			consult

Ordering code CIT 300 wall mounted housing

CIT 300 - - - -

Input type			
0/4 ... 20 mA, 0/1 ... 5 V, 0/2 ... 10 V	8		
Pt100 , Pt500, Pt1000	3		
thermocouple	A		
Number of outputs			
without	0		
2	2		
Output type			
without	0		
2x SPST relay	1		
2x Open collector	2		
1x SPST relay + 1x 0/4...20 mA active	3		
1x Open collector + 1x 0/4...20 mA active	4		
1x SPST relay + 1x 4...20 mA passive	9		
1x Open collector + 1x 4...20 mA passive	A		
1x SPST relay + 1x 0/1...5 V, 0/2...10V	B		
1x Open collector + 1x 0/1...5 V, 0/2...10V	C		
Supply			
16...35 VAC / 19...50 VDC		3	
85...260 VAC / VDC		4	
Special version			
wall mounted housing IP67		5	0
IP67 + operating temp. -20...50°C		5	8
customer		9	9
			consult
Accessories			
hat rail adapter 48 mm		Z900029	
infrared remote control IR 2		Z900033	